

# ST670(P) ST670-AB/AW

## SMARTMOUNT. Universal Tilt Wall Mount for 46" to 90" Displays

Enhance the installation experience with the ST670. Its wall plate holds displays weighing up to 250lb while featuring junction box access ports and horizontal display adjustment up to 12" for ideal display positioning. Its exclusive pre-tensioned display adaptor design offers display tilt viewing adjustment enabling putting the final touches on the installation increasingly fast and simple.



Display size: 46"-90"



Max load: 250lb (113kg)

### FEATURES

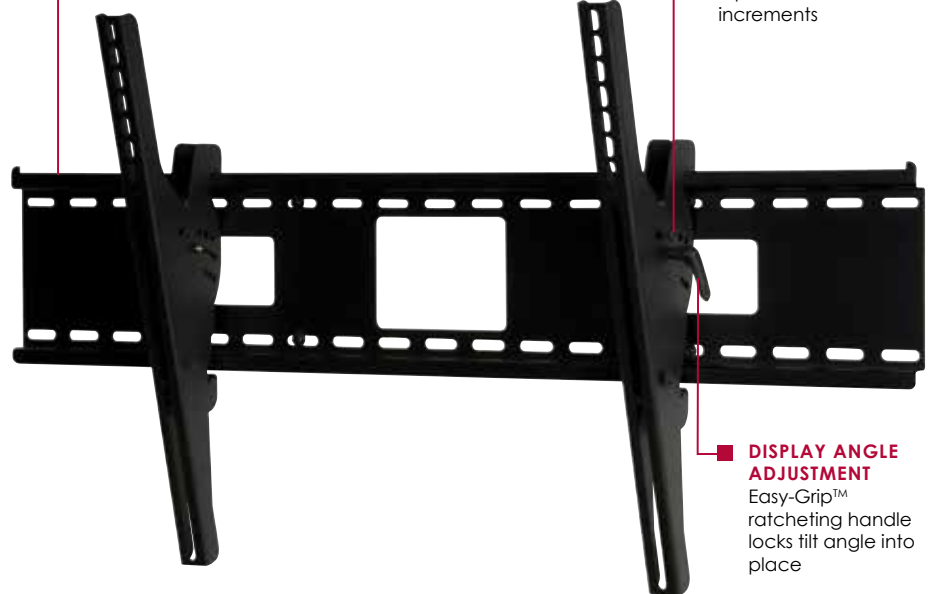
- Universal mount fits displays with mounting patterns up to 915 x 503mm (36.04" W x 19.80" H)
- Adjustable up to 15° of forward tilt and -5° backward tilt for optimal viewing angle
- Pre-tensioned universal tilt display adaptors allow for tilt adjustment without the use of tools
- Easy-Grip™ ratcheting handle locks tilt angle into place
- Included IncreLok™ feature offers fixed tilt lock in -5°, 0°, 5°, 10°, 15
- Horizontal display adjustment of up to 12" (304mm) (depending on display model) for perfect display placement
- Universal display adaptors easily hook onto wall plate for fast installation
- Mounts to wood studs, concrete, cinder block or metal studs (metal stud accessory required)
- Comes with fastener pack with all necessary display attachment hardware
- Integrated security options available
- UL listed
- Agion® antimicrobial\* finish assists in controlling the spread of infections with ST670-AB/AW models

#### VIEWING FLEXIBILITY

Horizontal display adjustment up to 12" (304mm) for centering display on wall

#### INCRELOK™

Optional tilt lock at 5° increments



#### DISPLAY ANGLE ADJUSTMENT

Easy-Grip™ ratcheting handle locks tilt angle into place



\*With max load up to 200lb (90kg)

ST670-AB/AW:



Patented. Utility Patent No. 8,313,073; 8,517,322; 8,282,059.

\*Antimicrobial protection is limited to the treated article and does not protect a user against disease causing bacteria. Always clean products thoroughly after each use. Visit [agion-tech.com](http://agion-tech.com) for more details.



Adjustable +15/-5° tilt

CLICK: [www.peerless-av.com](http://www.peerless-av.com) CALL: 800.865.2112 FAX: 800.359.6500

peerless-AV™

<b>ST670P</b>	SmartMount® Universal Tilt Wall Mount for 46" to 90" Displays - standard models
<b>ST670(-AB/AW)</b>	SmartMount® Universal Tilt Wall Mount for 46" to 90" Displays - security models

Product Specifications

	DIMENSIONS (W x H x D)	PRODUCT WEIGHT	LOAD CAPACITY	FINISH	AVAILABLE COLORS
<b>ST670(-AB/AW)(P)</b>	40.16" x 20.63" x 3.04"-6.41" (1020 x 524 x 77-163mm)	12.97lb (5.8kg)	250lb (113kg)	Matte	ST670(P) Black ST670-AB Antimicrobial* black ST670-AW Antimicrobial* white

\* Antimicrobial protection is limited to the treated article and does not protect a user against disease causing bacteria. Always clean products thoroughly after each use. Visit [www.agion-tech.com](http://www.agion-tech.com) for more details.

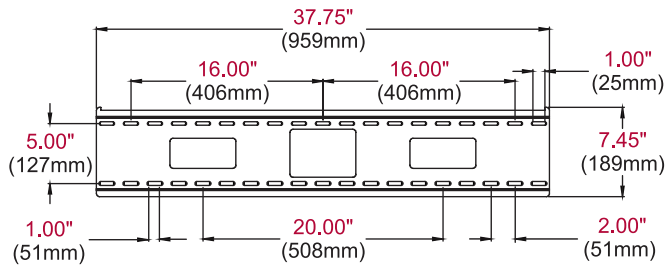
Package Specifications

	PACKAGE SIZE (W x H x D)	PACKAGE SHIP WEIGHT	PACKAGE UPC CODE	PACKAGE CONTENTS	UNITS IN PACKAGE
<b>ST670(-AB/AW)(P)</b>	46.75" x 8.63" x 3.88" (119 x 219 x 99mm)	15.4lb (6.98kg)	ST670: 735029242277 ST670P: 735029242291 ST670-AB: 735029281474 ST670-AW: 735029281481	Wall plate, universal display adaptors, mounting and display attachment hardware	1

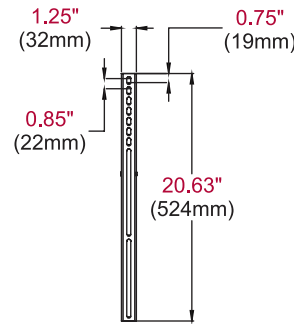
Accessories

- ACC615:** 6-pack Metal Stud Fastener Kit
- ACC309:** Video Conference Shelf

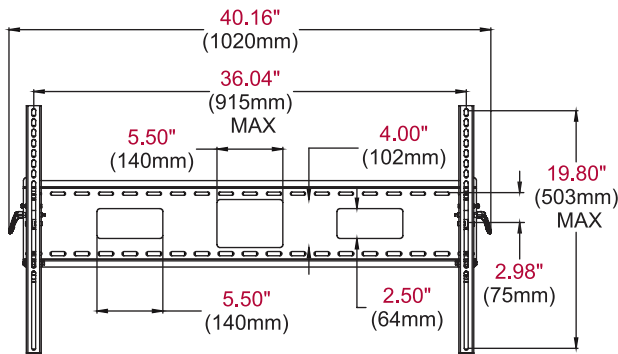
All dimensions = inch (mm)



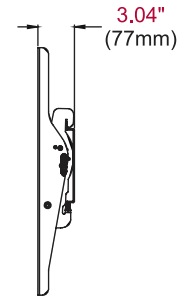
**WALL PLATE**



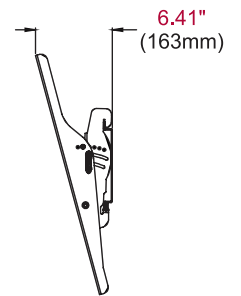
**ADAPTOR BRACKET**



**FRONT VIEW**



**SIDE VIEW**



**SIDE VIEW  
+15°/-5° TILT**

ARCHITECTS SPECIFICATIONS

The SmartMount® Universal Tilt Wall Mount shall be a Peerless-AV model ST670(-AB/AW)(P) and shall be located where indicated on the plans. Assembly and installation shall be done according to instructions provided by the manufacturer.